

YPHD™

YPHD™

2020

广东医道医疗科技有限公司  
Guangdong YiDao Medical Technology Co., Ltd.



广东医道医疗科技有限公司

Guangdong YiDao Medical Technology Co., Ltd.

广东省东莞市横沥镇西梁路一巷一号

Address: No.1 Xiju Street, Hengli Town,

Dongguan City, Guangdong Province, China.

Website: [www.superyidao.com](http://www.superyidao.com)

# RESPIRATORY HEALTH

## KN95/FFP2/FFP3 Mask

广东医道医疗科技有限公司

Guangdong Yidao Medical Technology Co., Ltd

# 公司简介

## Company Profile



# 公司简介

## Company Profile

Why choose us?

- 1: Real Europe CE with LGAI TECHNOLOGICAL CENTER, S. A./Applus NB0370, Test Report EN149:2001+A1:2009, which include intact Module B and Module C2.
- 2: Qualified products made by factory which is authorized to export by China's Ministry of Commerce.
- 3: P2 special Melt blown fabric to ensure that the EU oil filtration test reached more than 99%.  
All of our non-woven fabrics are 3S, the material is very scientific and reasonable to achieve the lowest breathing resistance;  
Our hot air cotton is 30 grams to reach the medical level of 100% ES;  
Ear straps strict for 24 stitches;  
All of our materials are excellent scientific and reasonable.
- 4: We have qualified in USA EUA / WHITE LIST, we can export the KN95 to USA and do the customs clearance smoothly.
- 5: We have Certificate of free sale license for South America countries, which include Argentina, Brazil, Columbia, Ecuador, Peru.
- 6: We do not have any production authorization to other factories.  
Our daily output all from our own factory, which ensure that each of our export masks will not bring any trouble to our customers, and never suffer quality complaints and claims! Thank you for your continued attention and support for the growth of our company.
- 7: Door to door service is available for us.
- 8: We do not have any production authorization to other factories. Our daily output all from our own factory, which ensure that each of our export masks will not bring any trouble to our customers, and never suffer quality complaints and claims!



# Manufacturing Room

## Testing Room

### Mask Manufacturing Room 口罩生产车间

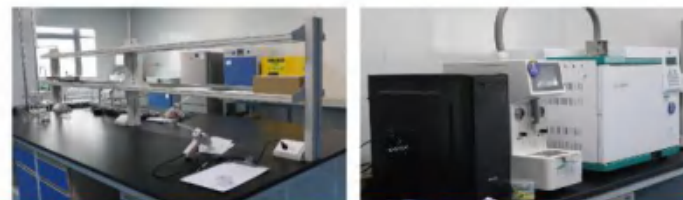
### Testing Room 理化室



无菌室、微生物实验室、阳性对照室  
Sterile room, microbiological laboratory, positive control room



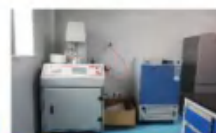
无尘生产车间 Clean Working-Room



口罩检测理化室 Mask Testing Room



拉力测试仪  
Tensile Testing Machine



BFE/PFE过滤效率测试仪  
BFE/PFE Testing Machine



气象色谱仪  
GAS Chromatograph

# 机器 Machine

## Mask Machine Manufacturing

口罩机生产

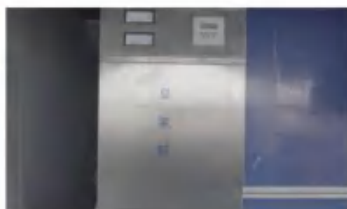


口罩机生产车间 Mask Machine Manufacturing room



## Huhua Sterilization System

富华消杀系统



## Mask Machine

口罩机生产设备

### 全自动折叠KN95/FFP2/FFP3口罩机

Fully Automatic Folding Type KN95/FFP2 Mask Making Machine

超声波频率 (Ultrasonic Frequency): 20KHz 15KHZ

机器尺寸 (Machine size): 8800×2000×1600MM

电压 (Voltage): 220V-50/60Hz

气压 (Atmospheric pressure): 5-6KG/CM2

产能 (Capacity): 30-45PCS/MIN

功率 (Power): 10KW



独立显示屏  
Independent Screen



respiratory resistance test



Ear strap pull test

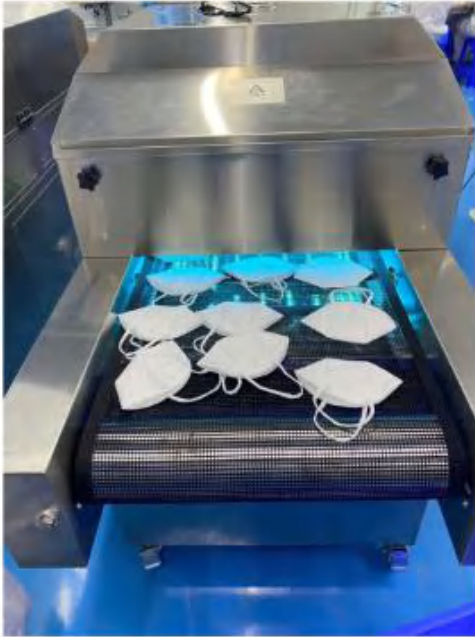


Filtration efficiency (salt and oil media) test





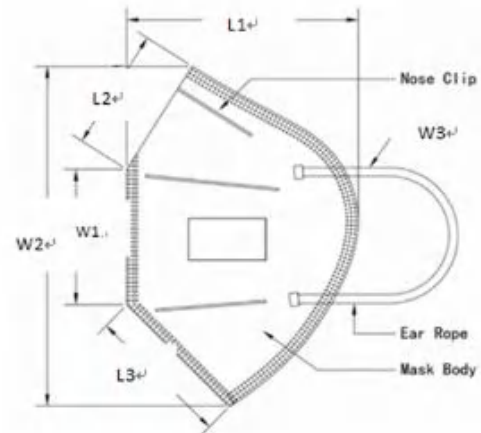
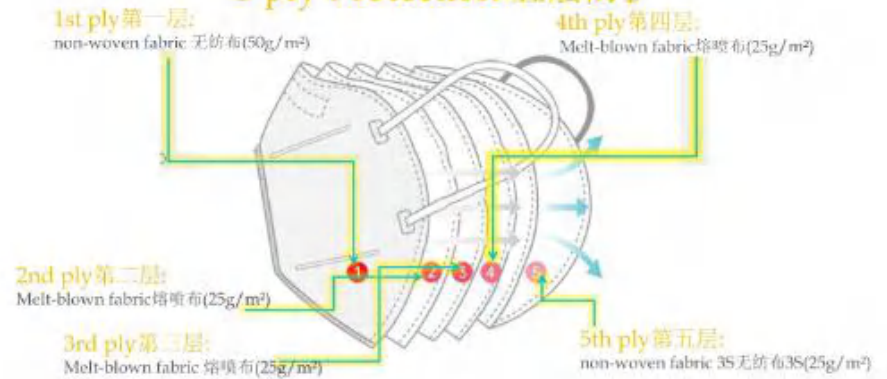
## UV Disinfection and Sterilization 口罩消毒灭菌设备



Each morning and afternoon, we have the special person in charge to take the random sa-mples from the mass production, and send to Shenzhen North Test Group to the relevant test, which help to guarantee our oily filter result reaches more than 99%, and our respiratory resistance can be maintained within 100-170 with two different kinds of Melt blown fabric. Our contract marked description for EN149/FFP2 standard and clearly states we bears all the responsibilities for all our export masks, since we are so confidence for our masks' quality. We do not have any production authorization to other factories. Our daily output is all from our own factory, ensure that each our export mask will not bring trouble to our customers, and never suffer quality complaints and claims!

## 产品介绍 Product Profile

### 5 ply Protection 五层防护



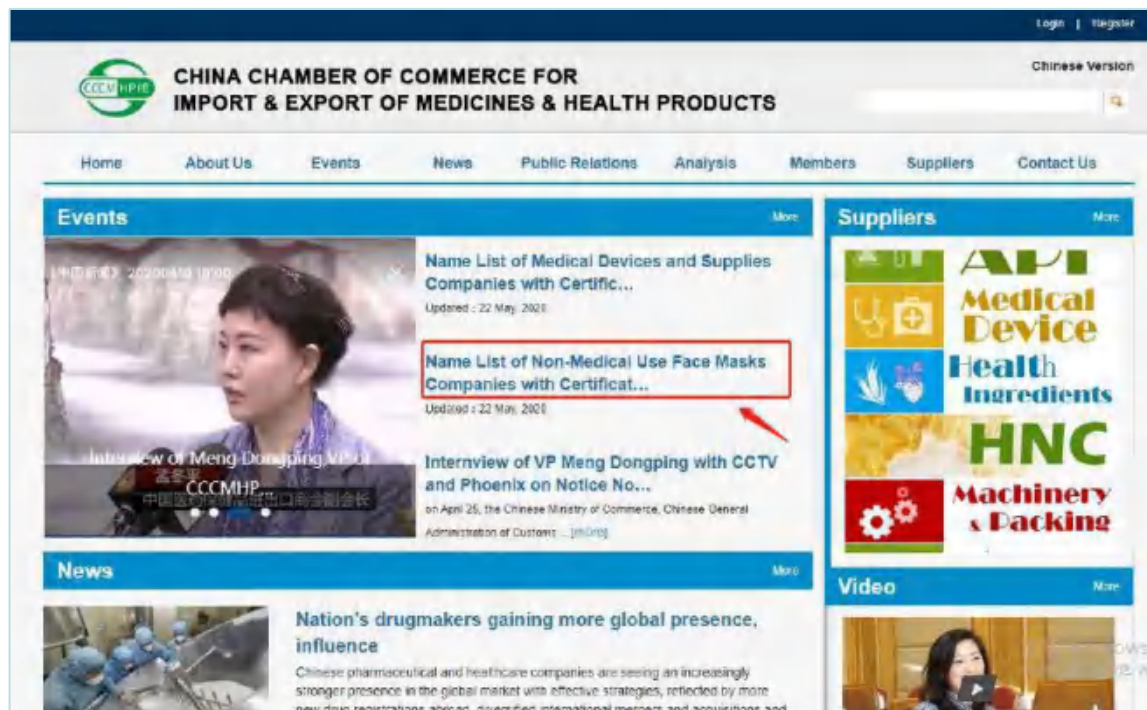
L1: 9.9cm  
L2: 5.0cm  
L3: 5.0cm  
W1: 7.2cm  
W2: 15.5cm  
W3: 16.5cm



# 医保会白名单

## White List in CCCM

[China Non Medical Mask White List, http://en.cccmhpie.org.cn](http://en.cccmhpie.org.cn)



70	广东医道医疗科技有限公司 Guangdong Yidao Medical Technology Co., Ltd.	91441900MA54DTP095	CE
----	---	--------------------	----

<http://en.cccmhpie.org.cn/Web/Content.aspx?queryStr=w7x08q7x15x15o3w8w1vS9z8w7x1X10x16x0X10x16o3w8w1u9v1u9v4u9v1>

# 包装 Packing



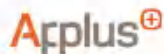
5pcs into seal up opp bag  
25pcs per color box  
Color box size 12.7x12.7x13.1cm  
48 boxes per carton  
1200pcs per master carton  
Carton size 53x53x42cm  
G.W. / N.W.: 10.50kgs / 7.20 kgs



# CE 报告

## CE Module B

Applus+ Technological Center S.A. (APPLUS)  
 Cerdanyola del Valles, Barcelona, Spain  
 Tel: +34 93 527 20 00  
[www.applus.com](http://www.applus.com)



LGAI Technological Center, S.A. (APPLUS)  
 Campus UAB - Ronda de la Font del Gall, s/n  
 E - 08193 Bellaterra (Barcelona)  
 T +34 93 527 20 00  
[www.appluslaboratories.com](http://www.appluslaboratories.com)



Technical Annex Ed. 1  
 24/07/2020

### CERTIFICADO DE EXAMEN UE DE TIPO

*EU-TYPE EXAMINATION CERTIFICATE*

No. 0370-4095-PPE/B

### ANEXO TÉCNICO

TECHNICAL ANNEX

0370-4095-PPE/B

### I. MODELOS INCLUIDOS EN EL CERTIFICADO

*REFERENCES INCLUDED IN THIS CERTIFICATE*

<b>ORGANISMO NOTIFICADO Nº</b> <i>NOTIFIED BODY NUMBER</i>	<b>0370 - LGAI TECHNOLOGICAL CENTER (APPLUS)</b>
<b>SOLICITANTE</b> <i>APPLICANT</i>	<b>Guangdong YiDao Medical Technology Co., Ltd.</b> Room 302, Building 2, No.1, Lane 1, Xiju Road Hengli, Dongguan City, Guangdong Province, P.R. CHINA
<b>FABRICANTE</b> <i>MANUFACTURER</i>	<b>Guangdong YiDao Medical Technology Co., Ltd.</b> Room 302, Building 2, No.1, Lane 1, Xiju Road Hengli, Dongguan City, Guangdong Province, P.R. CHINA
<b>REGLAMENTO DE APLICACIÓN PARA DAR LA CONFORMIDAD / APPLICABLE REGULATION TO GIVE CONFORMITY:</b> <b>REGLAMENTO (UE) 2016/425 SOBRE LOS EQUIPOS DE PROTECCIÓN INDIVIDUAL</b> <i>REGULATION (EU) 2016/425 PERSONAL PROTECTIVE EQUIPMENT</i>	
<b>PROCEDIMIENTO DE EVALUACIÓN DE LA CONFORMIDAD</b> <i>CONFORMITY ASSESSMENT PROCEDURE</i>	Módulo // <i>Module: B</i> <b>EXAMEN UE DE TIPO / EU TYPE EXAMINATION</b>
<b>IDENTIFICACIÓN DEL EPI (NÚMERO DE TIPO)</b> <i>IDENTIFICATION OF THE PPE (TYPE NUMBER)</i>	YD-003 Disposable mask
<b>NIVEL O NIVELES DE RENDIMIENTO O LA CLASE DE PROTECCIÓN DEL EPI / PERFORMANCE LEVEL OR PROTECTION CLASS OF THE PPE</b>	FFP3 NR
<b>NORMAS ARMONIZADAS / HARMONISED STANDARDS</b>	EN 149:2001 + A1:2009 Dispositivos de protección respiratoria. Medias máscaras filtrantes de protección contra partículas. Requisitos, ensayos, marcado. <i>EN 149:2001 + A1:2009 Respiratory protective devices. Filtering half masks to protect against particles. Requirements, testing, marking</i>
<b>FECHA DE EMISIÓN / ISSUE DATE</b>	<b>24/07/2020</b>
<b>VALIDEZ HASTA / VALIDITY UNTIL</b>	<b>24/07/2025</b>
<p>El presente certificado se mantendrá vigente durante 5 años siempre que el producto descrito no sea modificado y cumpla los requisitos esenciales de salud y seguridad establecidos en el Reglamento (UE) 2016/425. Para asegurar dicho cumplimiento, este certificado deberá ir acompañado de la documentación correspondiente a la Evaluación de Conformidad con el tipo según módulo C2, D (realizada por un Organismo Notificado, según frecuencia establecida).</p> <p><i>This certificate will remain valid for 5 years as long as the indicated product is not modified and fulfils the essential requirements of health and safety established in (EU) Regulation 2016/425. To ensure such compliance, this certificate must be accompanied by the documentation corresponding to the Conformity Assessment to type according to C2, D (carried out by a Notified Body according to the established frequency).</i></p>	

<b>MARCA</b> <i>BRAND</i>	YPHID
<b>IDENTIFICACIÓN DEL EPI (NÚMERO DE TIPO)</b> <i>IDENTIFICATION OF THE PPE (TYPE NUMBER)</i>	YD-003 Disposable mask
<b>NIVEL O NIVELES DE RENDIMIENTO O LA CLASE DE PROTECCIÓN DEL EPI</b> <i>PERFORMANCE LEVEL OR PROTECTION CLASS OF THE PPE</i>	FFP3 NR
<b>INFORME DE ENSAYO</b> <i>TEST REPORT</i>	S20061201301E-R4 Issued by Shenzhen NTEK Testing Technology Co., Ltd.

LGAI Technological Center, S.A.  
 Xavier Ruiz Peña  
 Managing Director, Product Conformity B.U.



Este documento carece de validez sin su anexo técnico, cuyo número coincide con el del certificado.  
*This document is not valid without its technical annex, whose number coincides with the number of certificate.*  
 Puede comprobarse la validez de este certificado en nuestra página web / You can check the validity of this certificate into our website at  
<https://www.applus.com/onlinecertificates/index.htm#CEB>

# CE 报告

## CE Module C2

LGAI Technological Center, S.A. (APPLUS)  
Campus UAB - Ronda de la Font del Carre, s/n  
08193 Bellaterra (Barcelona)  
T +34 93 567 20 00  
www.applus.com



LGAI Technological Center, S.A. (APPLUS)  
Campus UAB - Ronda de la Font del Carre, s/n  
E - 08193 Bellaterra (Barcelona)  
T +34 93 567 20 00  
[www.appluslaboratories.com](http://www.appluslaboratories.com)



Technical Annex Ed. 1  
19/09/2020



### ANEXO TÉCNICO TECHNICAL ANNEX

0370-4224-PPE/C2

### I. MODELOS INCLUIDOS EN EL CERTIFICADO

REFERENCES INCLUDED IN THIS CERTIFICATE

ORGANISMO NOTIFICADO Nº NOTIFIED BODY NUMBER	0370 - LGAI TECHNOLOGICAL CENTER (APPLUS)
SOLICITANTE APPLICANT	Guangdong YiDao Medical Technology Co.,Ltd Room 302, Building 2, NO.1, Lane 1, Xiju Road Hengli, Dongguan City, Guangdong Province, P.R. CHINA
FABRICANTE MANUFACTURER	Guangdong YiDao Medical Technology Co.,Ltd Room 302, Building 2, NO.1, Lane 1, Xiju Road Hengli, Dongguan City, Guangdong Province, P.R. CHINA
REGLAMENTO DE APLICACIÓN PARA DAR LA CONFORMIDAD   APPLICABLE REGULATION TO GIVE CONFORMITY: REGLAMENTO (UE) 2016/425 SOBRE LOS EQUIPOS DE PROTECCIÓN INDIVIDUAL REGULATION (EU) 2016/425 PERSONAL PROTECTIVE EQUIPMENT	
PROCEDIMIENTO DE EVALUACIÓN DE LA CONFORMIDAD CON EL TIPO CONFORMITY ASSESSMENT PROCEDURE TO TYPE	Módulo // Module: C2 BASADA EN EL CONTROL INTERNO DE LA PRODUCCIÓN MÁS EL CONTROL SUPERVISADO DE LOS PRODUCTOS A INTERVALOS ALEATORIOS BASED ON INTERNAL PRODUCTION CONTROL PLUS SUPERVISED CONTROL OF PRODUCTS AT ALEATORY INTERVALS
IDENTIFICACIÓN DEL EPI (NÚMERO DE TIPO) IDENTIFICATION OF THE PPE (TYPE NUMBER)	Ref.: YD-003 Disposable mask
NIVEL O NIVELES DE RENDIMIENTO O LA CLASE DE PROTECCIÓN DEL EPI / PERFORMANCE LEVEL OR PROTECTION CLASS OF THE PPE	FFP3 NR
FECHA DE EMISIÓN   ISSUE DATE	19/08/2020
VALIDEZ HASTA   VALIDITY UNTIL:	19/08/2021
El presente certificado se mantendrá vigente durante 1 año siempre que no se modifiquen las condiciones establecidas en el Certificado de Examen UE de Tipo referenciado en el Anexo. This certificate will remain in force for 1 year as long as the conditions established in the EU Type certificate referenced in the annex are not modified.	

Nº CERTIFICADO DE EXAMEN UE DE TIPO NR. EU TYPE EXAMINATION CERTIFICATE	0370-4095-PPE/B
EMITIDO POR ISSUED BY	LGAI TECHNOLOGICAL CENTER S.A. (APPLUS) (Organismo notificado nº 0370 / Notified body nr. 0370).
FECHA EMISIÓN ISSUE DATE	24/07/2020
VALIDEZ HASTA VALIDITY UNTIL	24/07/2025
MARCA BRAND	YPHD
IDENTIFICACIÓN DEL EPI (NÚMERO DE TIPO) IDENTIFICATION OF THE PPE (TYPE NUMBER)	Ref.: YD-003 Disposable mask
NIVEL O NIVELES DE RENDIMIENTO O LA CLASE DE PROTECCIÓN DEL EPI / PERFORMANCE LEVEL OR PROTECTION CLASS OF THE PPE	FFP3 NR
INFORME DE ENSAYO DE CONFORMIDAD CON EL TIPO CONFORMITY TO TYPE TEST REPORT	S20071300301E issued by Shenzhen NTEK Testing Technology Co., Ltd

LGAI Technological Center, S.A.  
Xavier Ruiz Peña  
Managing Director, Product Conformity B.U.



Este documento carece de validez sin su anexo técnico, cuyo número coincide con el del certificado.  
This document is not valid without its technical annex, whose number coincides with the number of certificate.

Puede comprobarse la validez de este certificado en nuestra página web / You can check the validity of this certificate into our website at:  
[www.appluslaboratories.com/validated\\_products](http://www.appluslaboratories.com/validated_products)



# Test Report

**Applicant:** Guangdong YiDao Medical Technology Co., Ltd.  
**Address:** Room 302, Buiding 2, No. 1, Alley 1, Xiju Road, Hengli Town, Dongguan City, Guangdong Province

The following sample(s) was/were submitted and identified on behalf of the client as:

**Product name:** Disposable mask FFP3  
**Model:** YD-003  
**Trade mark:** YPHD  
**Manufacturer:** Guangdong YiDao Medical Technology Co., Ltd.  
**Address:** Room 302, Buiding 2, No. 1, Alley 1, Xiju Road, Hengli Town, Dongguan City, Guangdong Province  
**Claim level:** FFP3  
**Sample quantity:** 150Pcs

**Sample Received Date:** Jun. 23, 2020  
**Testing Period:** Jun. 23, 2020~ Jul. 09, 2020

**Test Requirement:**

According to the requirement of the client, the test item(s) of the sample is according to the standard EN149:2001+A1:2009.

**Test Result(s):** Please refer to the following page(s)

**Test Method:** Please refer to the following page(s)

Compiled by:



Reviewed by: *May*

Approved by:

Date:

2020-07-10

**Summary of assessment\***

Clause	Assessment
7.3 Visual inspection	NRq
7.4 Packaging	Pass
7.5 Material	Pass
7.6 Cleaning and disinfecting	N.A.
7.7 Practical performance	Pass
7.8 Finish of parts	Pass
7.9.1 Total inward leakage	Pass
7.9.2 Penetration of filter material	Pass
7.10 Compatibility with skin	Pass
7.11 Flammability	Pass
7.12 Carbon dioxide content of the inhalation air	Pass
7.13 Head harness	Pass
7.14 Field of vision	Pass
7.15 Exhalation valve(s)	N.A.
7.16 Breathing resistance	Pass
7.17 Clogging	N.A.
7.18 Demountable parts	Pass

**Key**

Pass	Requirement satisfied.
NRq	The clauses were not required.
Fail	Requirement not satisfied. Refer to the "Result details" section for more information.
N.A.	Assessment not carried out.

\* Assessment relates only to those specimens which were tested and are the subject of this report.



Report No.: S20061201301E-R1

page 3 of 12

### Test Result

Respiratory Protective Devices — Filtering Half Masks to Protect against Particles — Requirements, Testing, Marking  
(EN 149:2001+A1:2009)

#### Clause 7.3 Visual inspection

Test Requirement	Results	Comment
Marking and the information supplied by the manufacturer, requirements refer to clause 9 and clause 10.	The clauses were not required.	NRq

#### Clause 7.4 Packaging

(EN 149:2001+A1:2009 Clause 8.2)

Test Requirement	Results	Comment
Particle filtering half masks shall be offered for sale packaged in such a way that they are protected against mechanical damage and contamination before use.	Comply	Pass

#### Clause 7.5 Material

(EN 149:2001+A1:2009, Clause 8.2 & 8.3.1 & 8.3.2)

Test Requirement	Results	Comment
Materials used shall be suitable to withstand handling and wear over the period for which the particle filtering half mask is designed to be used.	Comply	Pass
After undergoing the conditioning described in 8.3.1 none of the particle filtering half masks shall have suffered mechanical failure of the face piece or straps.	Comply	Pass
When conditioned in accordance with 8.3.1 and 8.3.2 the particle filtering half mask shall not collapse.	Comply	Pass
Any material from the filter media released by the air flow through the filter shall not constitute a hazard or nuisance for the wearer.	Comply	Pass



Report No.: S20061201301E-R1

page 4 of 12

#### Clause 7.6 Cleaning and Disinfecting

(EN 149:2001+A1:2009, Clause 8.4 & 8.5 & 8.11)

Test Requirement	Results	Comment
If the particle filtering half mask is designed to be re-usable, the materials used shall withstand the cleaning and disinfecting agents and procedures to be specified by the manufacturer. With reference to 7.9.2, after cleaning and disinfecting the re-usable particle filtering half mask shall satisfy the penetration requirement of the relevant class.	Assessment not carried out.	N.A.

#### Clause 7.7 Practical Performance

(EN 149:2001+A1:2009, Clause 8.4)

Test Requirement	Results	Comment
	Sample 11#-12#:	
General: a) head harness comfort b) security of fastenings c) field of vision d) any other comments reported by the wearer on request.	No imperfections	Pass
Walking Test: The subjects wearing normal working clothes and wearing the particle filtering half mask shall walk at a regular rate of 6 km/h on a level course. The test shall be continuous, without removal of the particle filtering half mask, for a period of 10 min.	No imperfections	
Work Simulation Test: a) walking on the level with headroom of (1.3 ± 0.2)m for 5min b) crawling on the level with headroom of (0.7 ± 0.05)m for 5min c) filling a small basket (see Figure 1, approximate volume = 8 l) with chippings or other suitable material from a hopper which stands 1,5 m high and has an opening at the bottom to allow the contents to be shovelled out and a further opening at the top where the basket full of chippings is returned.	No imperfections	



# CE 检测报告

## Module B test report



Report No.: S20061201301E-R1

page 5 of 12

### Clause 7.8 Finish of Parts (EN 149:2001+A1:2009, Clause 8.2)

Test Requirement	Results	Comment
Parts of the device likely to come into contact with the wearer shall have no sharp edges or burrs.	No sharp edges or burrs	Pass

### Clause 7.9.1 Total Inward Leakage (EN 149:2001+A1:2009 Clause 8.5)

Test Requirement	Results	Comment
For particle filtering half masks fitted in accordance with the manufacturer's information, at least 48 out of the 50 individual exercise results (i.e. 10 subjects x 5 exercises) for total inward leakage shall be not greater than: 25% for FFP1 11% for FFP2 5% for FFP3 and, in addition, at least 8 out of the 10 individual wearer arithmetic means for the total inward leakage shall be not greater than: 22% for FFP1 8% for FFP2 2% for FFP3	Detail refer to Appendix 1	Pass

#### Appendix 1: Summarization of Test Data

Subject	Sample	Condition	Normal Breathing (%)	Head Side/Side (%)	Head Up/Down (%)	Speak Loudly (%)	Normal Breathing (%)	Mean (%)
Huang	1#	A.R.	1.6	1.7	1.7	1.8	1.5	1.7
Zhou	2#	A.R.	1.9	2.0	2.0	2.1	1.8	2.0
Ma	3#	A.R.	1.5	1.7	1.6	1.8	1.5	1.6
Wu	4#	A.R.	1.8	1.9	2.1	2.2	1.9	2.0
Li	5#	A.R.	1.7	1.9	1.9	1.9	1.6	1.8
Wu	6#	T.C.	1.4	1.6	1.6	1.7	1.5	1.6
Zhai	7#	T.C.	1.8	1.7	1.9	2.1	1.8	1.9
Zheng	8#	T.C.	1.6	1.5	1.8	1.9	1.6	1.7
Huang	9#	T.C.	1.4	1.8	1.8	1.9	1.5	1.7
Wu	10#	T.C.	1.9	2.2	2.1	2.4	2.0	2.1



Report No.: S20061201301E-R1

page 6 of 12

### Facial Dimension:

Subject	Length of Face (mm)	Width of Face (mm)	Depth of Face (mm)	Width of Mouth (mm)
Huang	130	140	125	53
Zhou	100	148	125	55
Ma	120	158	110	50
Wu	120	154	128	54
Li	112	146	112	50
Wu	110	148	121	44
Zhai	135	165	125	53
Zheng	106	157	118	51
Huang	112	172	118	55
Wu	105	157	118	51

### Clause 7.9.2 Penetration of Filter Material (EN 149:2001+A1:2009, Clause 8.11 & EN 13274-7:2019)

Test Requirement	Results	Comment		
The penetration of the filter of the particle filtering half mask shall meet the requirements of the following table.	Detail refer to Appendix 2	Pass		
Classification			Maximum penetration of test aerosol	
			Sodium chloride test 95 L/min % max.	Paraffin oil test 95 L/min % max.
FFP1			20	20
FFP2	6	6		
FFP3	1	1		

### Appendix 2: Summarization of Test Data

Penetration of filter material

Aerosol	Condition	Sample No.	Penetration (%)		Assessment
			Average in 30s after 3 min	Max. during exposure	
Sodium chloride test	A.R.	13#	0.5	/	Pass
		14#	0.5	/	
		15#	0.6	/	
	S.W.	22#	0.5	/	
		23#	0.5	/	
		24#	0.6	/	
		M.S. + T.C.	25#	/	
M.S. + T.C.	26#	/	0.1		
	27#	/	0.2		
Paraffin oil test	A.R.	16#	0.5	/	
		17#	0.5	/	
		18#	0.5	/	
	S.W.	19#	0.5	/	
		20#	0.5	/	
		21#	0.6	/	
		M.S. + T.C.	28#	/	0.2
	M.S. + T.C.	29#	/	0.3	
		30#	/	0.1	

Flow conditioning: 95.0 L/min

### Clause 7.10 Compatibility with Skin

(EN 149:2001+A1:2009, Clause 8.4 & 8.5)

Test Requirement	Results	Comment
Materials that may come into contact with the wearer's skin shall not be known to be likely to cause irritation or any other adverse effect to health.	No irritation or any other adverse effect to health	Pass

### Clause 7.11 Flammability

(EN 149:2001+A1:2009, Clause 8.6)

Test Requirement	Results	Comment
The material used shall not present a danger for the wearer and shall not be of highly flammable nature when tested, the particle filtering half mask shall not burn or not to continue on burn for more than 5 s after removal from the flame.	Detail refer to Appendix 3	Pass

### Appendix 3: Summarization of Test Data

Flammability

Condition	Sample No.	Result	Assessment
A.R.	31#	Nonflammable	Pass
	32#	Nonflammable	
T.C.	33#	Nonflammable	
	34#	Nonflammable	

### Clause 7.12 Carbon Dioxide Content of The Inhalation Air

(EN 149:2001+A1:2009, Clause 8.7)

Test Requirement	Results	Comment
The carbon dioxide content of the inhalation air (dead space) shall not exceed an average of 1.0 % (by volume)	Detail refer to Appendix 4	Pass

### Appendix 4: Summarization of Test Data

Carbon Dioxide Content of The Inhalation Air

Condition	Sample No.	Result	Assessment
A.R.	35#	0.31%	Pass
	36#	0.36%	
	37#	0.35%	
		Mean value	
		0.34%	



# CE 检测报告

## Module B test report



Report No.: S20061201301E-R1

page 9 of 12

### Clause 7.13 Head Harness (EN 149:2001+A1:2009, Clause 8.4 & 8.5)

Test Requirement	Results	Comment
The head harness shall be designed so that the particle filtering half mask can be donned and removed easily.	Comply	Pass
The head harness shall be adjustable or self-adjusting and shall be sufficiently robust to hold the particle filtering half mask firmly in position and be capable of maintaining total inward leakage requirements for the device.	Comply	

### Clause 7.14 Field of Vision (EN 149:2001+A1:2009, Clause 8.4)

Test Requirement	Results	Comment
The field of vision is acceptable if determined so in practical performance	Comply	Pass

### Clause 7.15 Exhalation Valve(s) (EN 149:2001+A1:2009, Clause 8.2 & 8.9.1 & 8.3.4 & 8.8)

Test Requirement	Results	Comment
a) A particle filtering half mask may have one or more exhalation valve(s), which shall function correctly in all orientations.	Assessment not carried out.	N.A.
b) If an exhalation valve is provided it shall be protected against or be resistant to dirt and mechanical damage and may be shrouded or may include any other device that may be necessary for the particle filtering half mask to comply with 7.9.	Assessment not carried out.	
c) Exhalation valve(s), if fitted, shall continue to operate correctly after a continuous exhalation flow of 300 l/min over a period of 30 s.	Assessment not carried out.	
d) When the exhalation valve housing is attached to the face blank, it shall withstand axially a tensile force of 10N applied for 10 s.	Assessment not carried out.	



Report No.: S20061201301E-R1

page 10 of 12

### Clause 7.16 Breathing Resistance (EN 149:2001+A1:2009, Clause 8.9)

Test Requirement				Results	Comment
The penetration of the filter of the particle filtering half mask shall meet the requirements of the following table.				Detail refer to Appendix 5	Pass
Classification	Maximum permitted resistance (mbar)				
	Inhalation		Exhalation		
	30 L/min	95 L/min	160 L/min		
FFP1	0.6	2.1	3.0		
FFP2	0.7	2.4	3.0		
FFP3	1.0	3.0	3.0		

#### Appendix 5: Summarization of Test Data

Specimen	Condition	Inhalation		Exhalation resistance(mbar)				
		At 30 L/min	At 95 L/min	At 160 L/min				
		A	B	C	D	E		
38#	A.R.	0.5	2.1	2.8	2.8	2.7	2.8	2.8
39#		0.5	2.1	2.8	2.8	2.8	2.7	2.8
40#		0.5	2.1	2.7	2.8	2.8	2.8	2.7
41#	S.W.	0.6	2.2	2.8	2.9	2.8	2.9	2.9
42#		0.6	2.2	2.8	2.9	2.9	2.9	2.9
43#		0.6	2.2	2.9	2.9	2.9	2.9	2.9
44#	T.C.	0.5	2.1	2.7	2.7	2.7	2.7	2.7
45#		0.5	2.1	2.7	2.7	2.7	2.7	2.7
46#		0.5	2.1	2.7	2.7	2.7	2.7	2.7
/	F.C.	/	/	/	/	/	/	/
/		/	/	/	/	/	/	/
/		/	/	/	/	/	/	/

A: facing directly ahead; B: facing vertically upwards; C: facing vertically downwards; D: lying on the left side; E: lying on the right side

### Clause 7.17 Clogging

(EN 149:2001+A1:2009, Clause 8.9 & 8.10)

Test Requirement		Results	Comment	
Clause 7.17.2 Breathing resistance Valved particle filtering half masks: After clogging the inhalation resistances shall not exceed: FFP1: 4 mbar, FFP2: 5 mbar, FFP3: 7 mbar at 95L/min continuous flow The exhalation resistance shall not exceed 3 mbar at 160 L/min continuous flow. Valveless particle filtering half masks: After clogging the inhalation and exhalation resistances shall not exceed: FFP1: 3 mbar, FFP2: 4 mbar, FFP3: 5 mbar at 95L/min continuous flow		Assessment not carried out.	N.A.	
Test Requirement		Results	Comment	
Clause 7.17.3 Penetration of filter material All types (valved and valveless) of particle filtering half masks claimed to meet the clogging requirement shall also meet the requirements.		Assessment not carried out.	N.A.	
Classification	Maximum penetration of test aerosol			
	Sodium chloride test 95 L/min			Paraffin oil test 95 L/min
	%			%
	max.			max.
FFP1	20	20		
FFP2	6	6		
FFP3	1	1		

### Clause 7.18 Demountable Parts

(EN 149:2001+A1:2009, Clause 8.2)

Test Requirement	Results	Comment
All demountable parts (if fitted) shall be readily connected and secured, where possible by hand	Comply	Pass

### Sample photo(s):



Fig.1



Fig.2

This test report displaces the original report No. S20061201301E, and the original one was invalid since the date of this test report No. S20061201301E released.

\*\*\*End of Report\*\*\*

The test report is effective only with both signature and specialized stamp, the result(s) shown in this report refer only to the sample(s) tested. Without written approval of NTEK, this report can't be reproduced except in full.



# CE 检测报告

## C2 test report



Report No.: S20071300301E

page 1 of 10

# Test Report

**Applicant:** Guangdong YiDao Medical Technology Co.,Ltd.  
**Address:** Room 302, Buiding 2, No. 1, Alley 1, Xiju Road, Hengli Town, Dongguan City, Guangdong Province

The following sample(s) was/were submitted and identified on behalf of the client as:

**Product name:** Disposable mask  
**Model:** YD-003  
**Brand:** YPHD  
**Manufacturer:** Guangdong YiDao Medical Technology Co.,Ltd.  
**Address:** Room 302, Buiding 2, No. 1, Alley 1, Xiju Road, Hengli Town, Dongguan City, Guangdong Province

**Claim level:** FFP3 NR  
**Sample quantity:** 70 Pcs  
**C2 Sampling done by:** APPLUS+ with ID  
**number:** 20/02301417  
**Sample Received Date:** Aug. 04, 2020  
**Testing Period:** Aug. 04, 2020~ Aug. 13, 2020

### Test Requirement:

According to the requirement of the Module C2 (SPC CE-062\_EN M3 PPE ) of Applus+, the test item(s) of the sample is according to the standard EN149:2001+A1:2009.

**Test Result(s):** Please refer to the following page(s)

**Test Method:** Please refer to the following page(s)

**Compiled by:**  **Reviewed by:**   
**Approved by:**  **Date:** 2020-08-17



Report No.: S20071300301E

page 2 of 10

### Summary of assessment\*

Clause	Assessment
7.3 Visual inspection	Pass
7.5 Material	Pass
7.8 Finish of parts	Pass
7.9.1 Total inward leakage	Pass
7.9.2 Penetration of filter material	Pass
7.12 Carbon dioxide content of the inhalation air	Pass
7.16 Breathing resistance	Pass

### Key

Pass	Requirement satisfied.
NRq	The clauses were not required.
Fail	Requirement not satisfied. Refer to the "Result details" section for more information.
N.A.	Requirement not applicable.

\* Assessment relates only to those specimens which were tested and are the subject of this report.

# CE 检测报告

## C2 test report



Report No.: S20071300301E

page 3 of 10

### Test Result

Respiratory Protective Devices — Filtering Half Masks to Protect against Particles — Requirements, Testing, Marking  
(EN 149:2001+A1:2009)

#### Clause 7.3 Visual Inspection

Test Requirement	Results	Comment
Marking and the information supplied by the manufacturer, requirements refer to clause 9 and clause 10.	Comply	Pass

#### Clause 7.5 Material

(EN 149:2001+A1:2009, Clause 8.2 & 8.3.1 & 8.3.2)

Test Requirement	Results	Comment
Materials used shall be suitable to withstand handling and wear over the period for which the particle filtering half mask is designed to be used.	Comply	Pass
After undergoing the conditioning described in 8.3.1 none of the particle filtering half masks shall have suffered mechanical failure of the face piece or straps.	Comply	Pass
When conditioned in accordance with 8.3.1 and 8.3.2 the particle filtering half mask shall not collapse.	Comply	Pass
Any material from the filter media released by the air flow through the filter shall not constitute a hazard or nuisance for the wearer.	Comply	Pass

#### Clause 7.8 Finish of Parts

EN 149:2001+A1:2009, Clause 8.2)

Test Requirement	Results	Comment
Parts of the device likely to come into contact with the wearer shall have no sharp edges or burrs.	No sharp edges or burrs	Pass



Report No.: S20071300301E

page 4 of 10

#### Clause 7.9.1 Total Inward Leakage

(EN 149:2001+A1:2009 Clause 8.5)

Test Requirement	Results	Comment
For particle filtering half masks fitted in accordance with the manufacturer's information, at least 46 out of the 50 individual exercise results (i.e. 10 subjects x 5 exercises) for total inward leakage shall be not greater than: 25% for FFP1 11% for FFP2 5% for FFP3 and, in addition, at least 8 out of the 10 individual wearer arithmetic means for the total inward leakage shall be not greater than: 22% for FFP1 8% for FFP2 2% for FFP3	Detail refer to Appendix 1	Pass

#### Appendix 1: Summarization of Test Data

Subject	Sample	Condition	Normal Breathing (%)	Head Side/Side (%)	Head Up/Down (%)	Speak Loudly (%)	Normal Breathing (%)	Mean (%)
Zhang	1#	A.R.	1.4	1.6	1.7	2.2	1.3	1.64
Zhai	2#	A.R.	1.3	1.5	1.9	2.1	1.6	1.68
Ma	3#	A.R.	1.3	1.4	1.3	1.8	1.2	1.40
Wu	4#	A.R.	1.0	1.3	1.4	1.6	1.0	1.26
Huang	5#	A.R.	1.2	1.4	1.5	2.1	1.6	1.56
Shi	6#	T.C.	1.6	1.3	1.4	2.2	1.7	1.64
Chen	7#	T.C.	2.1	2.0	2.3	2.8	1.8	2.20
Lai	8#	T.C.	1.7	2.1	2.0	2.4	1.5	1.94
Sheng	9#	T.C.	1.5	1.9	1.8	2.2	1.6	1.80
He	10#	T.C.	1.9	2.4	2.1	2.5	2.0	2.18



# CE 检测报告

## C2 test report



Report No.: S20071300301E

page 5 of 10

### Facial Dimension:

Subject	Length of Face (mm)	Width of Face (mm)	Depth of Face (mm)	Width of Mouth (mm)
Zhang	120	175	115	57
Zhai	135	165	125	53
Ma	120	158	110	50
Wu	112	172	118	55
Huang	105	157	118	51
Shi	110	144	117	46
Chen	111	137	121	53
Lei	112	138	119	54
Sheng	112	134	120	53
He	114	127	121	51

### Clause 7.9.2 Penetration of Filter Material

(EN 149:2001+A1:2009, Clause 8.11 & EN 13274-7:2019)

Test Requirement			Results	Comment
The penetration of the filter of the particle filtering half mask shall meet the requirements of the following table.			Detail refer to Appendix 2	Pass
Classification	Maximum penetration of test aerosol (%)			
	Sodium chloride test 95 L/min	Paraffin oil test 95 L/min		
FFP1	20	20		
FFP2	6	6		
FFP3	1	1		



Report No.: S20071300301E

page 6 of 10

### Appendix 2: Summarization of Test Data

#### Penetration of filter material

Aerosol	Condition	Sample No.	Penetration (%)		Assessment
			Average in 30s after 3 min	Max. during exposure	
Sodium chloride test	A.R.	11#	0.7	/	Pass
		12#	0.8	/	
		13#	0.7	/	
	S.W.	17#	0.7	/	
		18#	0.7	/	
		19#	0.6	/	
	M.S. + T.C.	23#	/	0.9	
		24#	/	1.0	
		25#	/	1.0	
Paraffin oil test	A.R.	14#	0.6	/	Pass
		15#	0.3	/	
		16#	0.8	/	
	S.W.	20#	0.4	/	
		21#	0.6	/	
		22#	0.7	/	
	M.S. + T.C.	26#	/	0.6	
		27#	/	0.5	
		28#	/	0.5	
Flow conditioning: 95.0 L/min					

### Clause 7.12 Carbon Dioxide Content of The Inhalation Air

(EN 149:2001+A1:2009, Clause 8.7)

Test Requirement	Results	Comment
The carbon dioxide content of the inhalation air (dead space) shall not exceed an average of 1.0% (by volume)	Detail refer to Appendix 4	Pass

# CE 检测报告

## C2 test report



Report No.: S20071300301E

page 7 of 10

### Appendix 4: Summarization of Test Data Carbon Dioxide Content of The Inhalation Air

Condition	Sample No.	Result	Assessment
A.R.	29#	0.53%	Mean value 0.54%
	30#	0.56%	
	31#	0.53%	

### Clause 7.16 Breathing Resistance EN 149:2001+A1:2009, Clause 8.9)

Test Requirement				Results	Comment
The breathing resistances apply to valved and valveless filtering half masks and shall meet the requirements as the following table.				Detail refer to Appendix 5	Pass
Classification	Maximum permitted resistance (mbar)				
	Inhalation		Exhalation		
	30 L/min	95 L/min	160 L/min		
FFP1	0.6	2.1	3.0		
FFP2	0.7	2.4	3.0		
FFP3	1.0	3.0	3.0		

### Appendix 5: Summarization of Test Data

Specimen	Condition	Inhalation(mbar)		Exhalation resistance(mbar)				
		At 30 L/min	At 95 L/min	At 160 L/min				
				A	B	C	D	E
32#	A.R.	0.4	1.2	1.7	1.8	1.7	1.8	1.8
33#		0.4	1.2	1.7	1.7	1.7	1.7	1.7
34#		0.4	1.2	1.7	1.6	1.7	1.7	1.7
35#	S.W.	0.4	1.2	1.8	1.8	1.8	1.8	1.8
36#		0.4	1.2	1.7	1.7	1.8	1.8	1.8
37#		0.4	1.2	1.8	1.8	1.7	1.8	1.8
38#	T.C.	0.4	1.1	1.6	1.6	1.6	1.6	1.6
39#		0.3	1.2	1.7	1.7	1.7	1.7	1.7
40#		0.4	1.2	1.7	1.7	1.7	1.7	1.7
/	T.C.+F.C.	/	/	/	/	/	/	/
/		/	/	/	/	/	/	/
/	F.C.	/	/	/	/	/	/	/

A: facing directly ahead; B: facing vertically upwards; C: facing vertically downwards; D: lying on the left side; E: lying on the right side

Shenzhen NTEK Testing Technology Co., Ltd. | Address: W. Building E, Fenda Science Park, Sanwei Community, Xixiang Street, Bao'an District, Shenzhen 518126 P.R.China. | Tel: +86-755-36995508 | Fax: +86-755-36995505 http://www.ntek.org.cn  
Complaint Tel: +86-755-36998619 | Complaint E-mail: complaint@ntek.org.cn



Report No.: S20071300301E

page 8 of 10

Sample photo(s)



Fig.1



Fig.2

Shenzhen NTEK Testing Technology Co., Ltd. | Address: W. Building E, Fenda Science Park, Sanwei Community, Xixiang Street, Bao'an District, Shenzhen 518126 P.R.China. | Tel: +86-755-36995508 | Fax: +86-755-36995505 http://www.ntek.org.cn  
Complaint Tel: +86-755-36998619 | Complaint E-mail: complaint@ntek.org.cn



# CE 检测报告

## C2 test report

**NTEK北测**

Report No.: S20071300301E

page 9 of 10



Fig.3



Fig.4

**NTEK北测**

Report No.: S20071300301E

page 10 of 10



Fig.5

\*\*\*End of Report\*\*\*

The test report is effective only with both signature and specialized stamp, the result(s) shown in this report refer only to the sample(s) tested. Without written approval of NTEK, this report can't be reproduced except in full.

# 公司实景

The company Live





# 公司实景

## The Company Live



**CERTIFICADO DE CONFORMIDAD CON EL TIPO**  
**CONFORMITY TO TYPE CERTIFICATE**



Organismo Notificado N° 0370



No.

**0370-4224-PPE/C2**

<b>ORGANISMO NOTIFICADO N°</b> <i>NOTIFIED BODY NUMBER</i>	<b>0370 - LGAI TECHNOLOGICAL CENTER (APPLUS)</b>
<b>SOLICITANTE</b> <i>APPLICANT</i>	<b>Guangdong YiDao Medical Technology Co.,Ltd</b> Room 302, Building 2, NO.1, Lane 1, Xiju Road Hengli, Dongguan City, Guangdong Province, P.R. CHINA
<b>FABRICANTE</b> <i>MANUFACTURER</i>	<b>Guangdong YiDao Medical Technology Co.,Ltd</b> Room 302, Building 2, NO.1, Lane 1, Xiju Road Hengli, Dongguan City, Guangdong Province, P.R. CHINA
<b>REGLAMENTO DE APLICACIÓN PARA DAR LA CONFORMIDAD</b> / <i>APPLICABLE REGULATION TO GIVE CONFORMITY:</i> <b>REGLAMENTO (UE) 2016/425 SOBRE LOS EQUIPOS DE PROTECCIÓN INDIVIDUAL</b> <i>REGULATION (EU) 2016/425 PERSONAL PROTECTIVE EQUIPMENT</i>	
<b>PROCEDIMIENTO DE EVALUACIÓN DE LA CONFORMIDAD CON EL TIPO</b> <i>CONFORMITY ASSESSMENT PROCEDURE TO TYPE</i>	Módulo // <i>Module:</i> <b>C2</b> <b>BASADA EN EL CONTROL INTERNO DE LA PRODUCCIÓN MÁS EL CONTROL SUPERVISADO DE LOS PRODUCTOS A INTERVALOS ALEATORIOS</b> <i>BASED ON INTERNAL PRODUCTION CONTROL PLUS SUPERVISED CONTROL OF PRODUCTS AT ALEATORY INTERVALS</i>
<b>IDENTIFICACIÓN DEL EPI (NÚMERO DE TIPO)</b> <i>IDENTIFICATION OF THE PPE (TYPE NUMBER)</i>	Ref.: YD-003 Disposable mask
<b>NIVEL O NIVELES DE RENDIMIENTO O LA CLASE DE PROTECCIÓN DEL EPI / PERFORMANCE LEVEL OR PROTECTION CLASS OF THE PPE</b>	FFP3 NR
<b>FECHA DE EMISIÓN</b> / <i>ISSUE DATE</i>	<b>19/08/2020</b>
<b>VALIDEZ HASTA</b> / <i>VALIDITY UNTIL:</i>	<b>19/08/2021</b>
El presente certificado se mantendrá vigente durante 1 año siempre que no se modifiquen las condiciones establecidas en el Certificado de Examen UE de Tipo referenciado en el Anexo. <i>This certificate will remain in force for 1 year as long as the conditions established in the EU Type certificate referenced in the annex are not modified.</i>	

Applus<sup>+</sup>  
LGAi Technological Center, S.A.

Xavier Ruiz Peña  
Managing Director, Product Conformity B.U.



Este documento carece de validez sin su anexo técnico, cuyo número coincide con el del certificado.  
*This document is not valid without its technical annex, whose number coincides with the number of certificate.*

Puede comprobarse la validez de este certificado en nuestra página web / *You can check the validity of this certificate into our website at:*  
[www.appluslaboratories.com/certified\\_products](http://www.appluslaboratories.com/certified_products)

**ANEXO TÉCNICO**  
*TECHNICAL ANNEX*

**0370-4224-PPE/C2**

**I. MODELOS INCLUIDOS EN EL CERTIFICADO**

*REFERENCES INCLUDED IN THIS CERTIFICATE*

<b>Nº CERTIFICADO DE EXAMEN UE DE TIPO</b> <i>NR. EU TYPE EXAMINATION CERTIFICATE</i>	<b>0370-4095-PPE/B</b>
<b>EMITIDO POR</b> <i>ISSUED BY</i>	LGAI TECHNOLOGICAL CENTER S.A. (APPLUS) <b>(Organismo notificado nº 0370 / Notified Body nr. 0370).</b>
<b>FECHA EMISIÓN</b> <i>ISSUE DATE</i>	24/07/2020
<b>VALIDEZ HASTA</b> <i>VALIDITY UNTIL</i>	24/07/2025
<b>MARCA</b> <i>BRAND</i>	YPHD
<b>IDENTIFICACIÓN DEL EPI (NÚMERO DE TIPO)</b> <i>IDENTIFICATION OF THE PPE (TYPE NUMBER)</i>	Ref.: YD-003 Disposable mask
<b>NIVEL O NIVELES DE RENDIMIENTO O LA CLASE DE PROTECCIÓN DEL EPI /</b> <i>PERFORMANCE LEVEL OR PROTECTION CLASS OF THE PPE</i>	FFP3 NR
<b>INFORME DE ENSAYO DE CONFORMIDAD CON EL TIPO</b> <i>CONFORMITY TO TYPE TEST REPORT</i>	S20071300301E issued by Shenzhen NTEK Testing Technology Co., Ltd



# CERTIFICADO DE EXAMEN UE DE TIPO

## EU-TYPE EXAMINATION CERTIFICATE



Notified Body No. 0370



No. **0370-4095-PPE/B**

<b>ORGANISMO NOTIFICADO N°</b> <i>NOTIFIED BODY NUMBER</i>	<b>0370 - LGAI TECHNOLOGICAL CENTER (APPLUS)</b>
<b>SOLICITANTE</b> <i>APPLICANT</i>	<b>Guangdong YiDao Medical Technology Co., Ltd.</b> Room 302, Building 2, No.1, Lane 1, Xiju Road Hengli, Dongguan City, Guangdong Province, P.R. CHINA
<b>FABRICANTE</b> <i>MANUFACTURER</i>	<b>Guangdong YiDao Medical Technology Co., Ltd.</b> Room 302, Building 2, No.1, Lane 1, Xiju Road Hengli, Dongguan City, Guangdong Province, P.R. CHINA
<b>REGLAMENTO DE APLICACIÓN PARA DAR LA CONFORMIDAD / APPLICABLE REGULATION TO GIVE CONFORMITY:</b> <b>REGLAMENTO (UE) 2016/425 SOBRE LOS EQUIPOS DE PROTECCIÓN INDIVIDUAL</b> <i>REGULATION (EU) 2016/425 PERSONAL PROTECTIVE EQUIPMENT</i>	
<b>PROCEDIMIENTO DE EVALUACIÓN DE LA CONFORMIDAD</b> <i>CONFORMITY ASSESSMENT PROCEDURE</i>	Módulo // <i>Module</i> : <b>B</b> <b>EXAMEN UE DE TIPO / EU TYPE EXAMINATION</b>
<b>IDENTIFICACIÓN DEL EPI (NÚMERO DE TIPO)</b> <i>IDENTIFICATION OF THE PPE (TYPE NUMBER)</i>	YD-003 Disposable mask
<b>NIVEL O NIVELES DE RENDIMIENTO O LA CLASE DE PROTECCIÓN DEL EPI / PERFORMANCE LEVEL OR PROTECTION CLASS OF THE PPE</b>	FFP3 NR
<b>NORMAS ARMONIZADAS / HARMONISED STANDARDS</b>	EN 149:2001 + A1:2009 Dispositivos de protección respiratoria. Medias máscaras filtrantes de protección contra partículas. Requisitos, ensayos, marcado. <i>EN 149:2001 + A1:2009 Respiratory protective devices. Filtering half masks to protect against particles. Requirements, testing, marking</i>
<b>FECHA DE EMISIÓN / ISSUE DATE</b>	<b>24/07/2020</b>
<b>VALIDEZ HASTA / VALIDITY UNTIL</b>	<b>24/07/2025</b>

El presente certificado se mantendrá vigente durante 5 años siempre que el producto descrito no sea modificado y cumpla los requisitos esenciales de salud y seguridad establecidos en el Reglamento (UE) 2016/425. Para asegurar dicho cumplimiento, este certificado deberá ir acompañado de la documentación correspondiente a la Evaluación de Conformidad con el tipo según módulo C2, D (realizada por un Organismo Notificado, según frecuencia establecida).

*This certificate will remain valid for 5 years as long as the indicated product is not modified and fulfills the essential requirements of health and safety established in (EU) Regulation 2016/425. To ensure such compliance, this certificate must be accompanied by the documentation corresponding to the Conformity Assessment to type according to C2, D(carried out by a Notified Body according, to the established frequency).*

  
Xavier Ruiz Peña  
Managing Director, Product Conformity B.U.



Este documento carece de validez sin su anexo técnico, cuyo número coincide con el del certificado.  
*This document is not valid without its technical annex, whose number coincides with the number of certificate.*

Puede comprobarse la validez de este certificado en nuestra página web / You can check the validity of this certificate into our website at  
<https://apps.applus.com/microsites/microsites/FECIP/login>



**ANEXO TÉCNICO**  
*TECHNICAL ANNEX*

**0370-4095-PPE/B**

**I. MODELOS INCLUIDOS EN EL CERTIFICADO**

*REFERENCES INCLUDED IN THIS CERTIFICATE*

<b>MARCA</b> <i>BRAND</i>	YPHD
<b>IDENTIFICACIÓN DEL EPI (NÚMERO DE TIPO)</b> <i>IDENTIFICATION OF THE PPE (TYPE NUMBER)</i>	YD-003 Disposable mask
<b>NIVEL O NIVELES DE RENDIMIENTO O LA CLASE DE PROTECCIÓN DEL EPI</b> <i>PERFORMANCE LEVEL OR PROTECTION CLASS OF THE PPE</i>	FFP3 NR
<b>INFORME DE ENSAYO</b> <i>TEST REPORT</i>	S20061201301E-R4 issued by Shenzhen NTEK Testing Technology Co., Ltd.

# CERTIFICADO DE EXAMEN UE DE TIPO

## EU-TYPE EXAMINATION CERTIFICATE



Notified Body No. 0370



No. **0370-4095-PPE/B**

<b>ORGANISMO NOTIFICADO N°</b> <i>NOTIFIED BODY NUMBER</i>	<b>0370 - LGAI TECHNOLOGICAL CENTER (APPLUS)</b>
<b>SOLICITANTE</b> <i>APPLICANT</i>	<b>Guangdong YiDao Medical Technology Co., Ltd.</b> Room 302, Building 2, No.1, Lane 1, Xiju Road Hengli, Dongguan City, Guangdong Province, P.R. CHINA
<b>FABRICANTE</b> <i>MANUFACTURER</i>	<b>Guangdong YiDao Medical Technology Co., Ltd.</b> Room 302, Building 2, No.1, Lane 1, Xiju Road Hengli, Dongguan City, Guangdong Province, P.R. CHINA
<b>REGLAMENTO DE APLICACIÓN PARA DAR LA CONFORMIDAD / APPLICABLE REGULATION TO GIVE CONFORMITY:</b> <b>REGLAMENTO (UE) 2016/425 SOBRE LOS EQUIPOS DE PROTECCIÓN INDIVIDUAL</b> <i>REGULATION (EU) 2016/425 PERSONAL PROTECTIVE EQUIPMENT</i>	
<b>PROCEDIMIENTO DE EVALUACIÓN DE LA CONFORMIDAD</b> <i>CONFORMITY ASSESSMENT PROCEDURE</i>	Módulo // <i>Module</i> : <b>B</b> <b>EXAMEN UE DE TIPO / EU TYPE EXAMINATION</b>
<b>IDENTIFICACIÓN DEL EPI (NÚMERO DE TIPO)</b> <i>IDENTIFICATION OF THE PPE (TYPE NUMBER)</i>	YD-003 Disposable mask
<b>NIVEL O NIVELES DE RENDIMIENTO O LA CLASE DE PROTECCIÓN DEL EPI / PERFORMANCE LEVEL OR PROTECTION CLASS OF THE PPE</b>	FFP3 NR
<b>NORMAS ARMONIZADAS / HARMONISED STANDARDS</b>	EN 149:2001 + A1:2009 Dispositivos de protección respiratoria. Medias máscaras filtrantes de protección contra partículas. Requisitos, ensayos, marcado. <i>EN 149:2001 + A1:2009 Respiratory protective devices. Filtering half masks to protect against particles. Requirements, testing, marking</i>
<b>FECHA DE EMISIÓN / ISSUE DATE</b>	<b>24/07/2020</b>
<b>VALIDEZ HASTA / VALIDITY UNTIL</b>	<b>24/07/2025</b>

El presente certificado se mantendrá vigente durante 5 años siempre que el producto descrito no sea modificado y cumpla los requisitos esenciales de salud y seguridad establecidos en el Reglamento (UE) 2016/425. Para asegurar dicho cumplimiento, este certificado deberá ir acompañado de la documentación correspondiente a la Evaluación de Conformidad con el tipo según módulo C2, D (realizada por un Organismo Notificado, según frecuencia establecida).

*This certificate will remain valid for 5 years as long as the indicated product is not modified and fulfills the essential requirements of health and safety established in (EU) Regulation 2016/425. To ensure such compliance, this certificate must be accompanied by the documentation corresponding to the Conformity Assessment to type according to C2, D(carried out by a Notified Body according, to the established frequency).*

  
LGAi Technological Center, S.A.  
Xavier Ruiz Peña

Managing Director, Product Conformity B.U.

Este documento carece de validez sin su anexo técnico, cuyo número coincide con el del certificado.

*This document is not valid without its technical annex, whose number coincides with the number of certificate.*

Puede comprobarse la validez de este certificado en nuestra página web / You can check the validity of this certificate into our website at  
<https://apps.applus.com/microsites/microsites/FECIP/login>



**ANEXO TÉCNICO**  
*TECHNICAL ANNEX*

**0370-4095-PPE/B**

**I. MODELOS INCLUIDOS EN EL CERTIFICADO**

*REFERENCES INCLUDED IN THIS CERTIFICATE*

<b>MARCA</b> <i>BRAND</i>	YPHD
<b>IDENTIFICACIÓN DEL EPI (NÚMERO DE TIPO)</b> <i>IDENTIFICATION OF THE PPE (TYPE NUMBER)</i>	YD-003 Disposable mask
<b>NIVEL O NIVELES DE RENDIMIENTO O LA CLASE DE PROTECCIÓN DEL EPI</b> <i>PERFORMANCE LEVEL OR PROTECTION CLASS OF THE PPE</i>	FFP3 NR
<b>INFORME DE ENSAYO</b> <i>TEST REPORT</i>	S20061201301E-R4 issued by Shenzhen NTEK Testing Technology Co., Ltd.